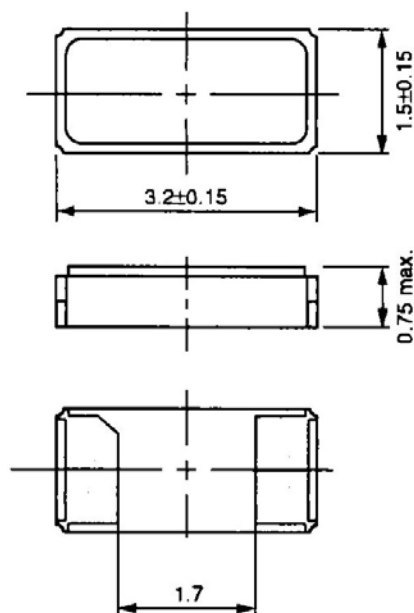


SMD-T9 Series***32.768KHz Ceramic Package Surface Mount Crystals***

Frequency	32.768 KHz
Frequency Tolerance	±20ppm @+25
Turnover Temperature	+25 ± 5
Temperature Coefficient	$(-3.5 \pm 1.0) \times 10^{-8} / ^{\circ}C^2$
Operating temperature range	-40 ~ +85
Load Capacitance	7.0, 9.0, 12.5pF
Equivalent series resistance	65K Max.
Drive Level	1 μ W Max.
Aging	± 5ppm/year

All specifications are subject to change without notice.



Dimension in mm